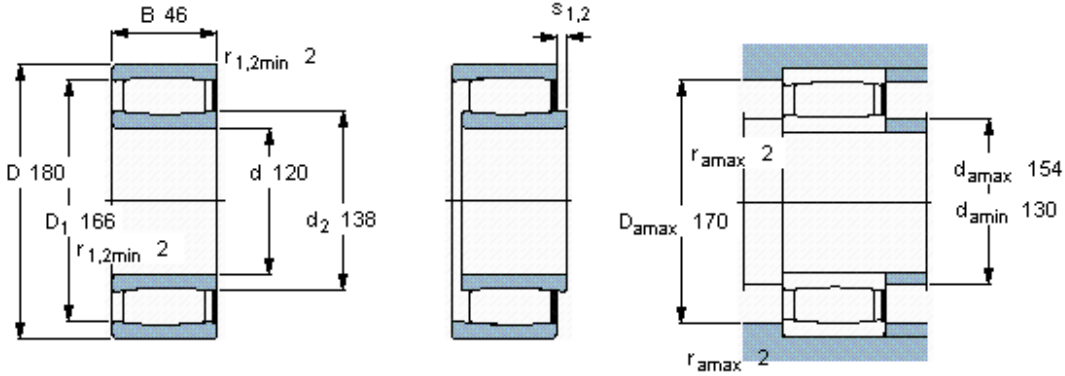


CARB toroidal roller bearings, cylindrical and tapered bore

Principal dimensions			Basic load ratings		Speed ratings		Designation	
d	D	B	dynamic C	static C0	Reference speed	Limiting speed	* SKF Explorer bearing	** Check availability
mm			kN		r/min		-	
<b>120</b>	180	46	430	640	-	1400	<b>C 3024 V *</b>	-



<b>Axial displacement <math>s_1</math></b>	10,6	
<b>Axial displacement <math>s_2</math> (retaining ring side)</b>	3,8	
<b>Misalignment factor <math>k_1</math></b>	0,111	
<b>Operating clearance factor <math>k_2</math></b>	0,109	